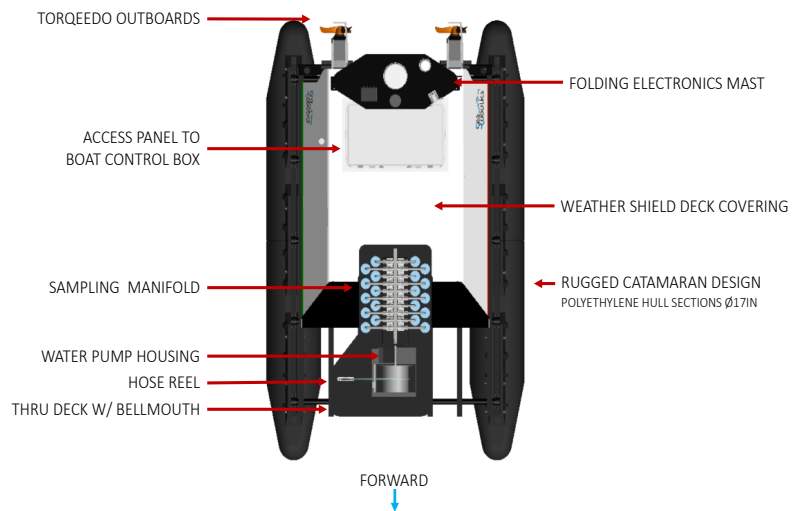
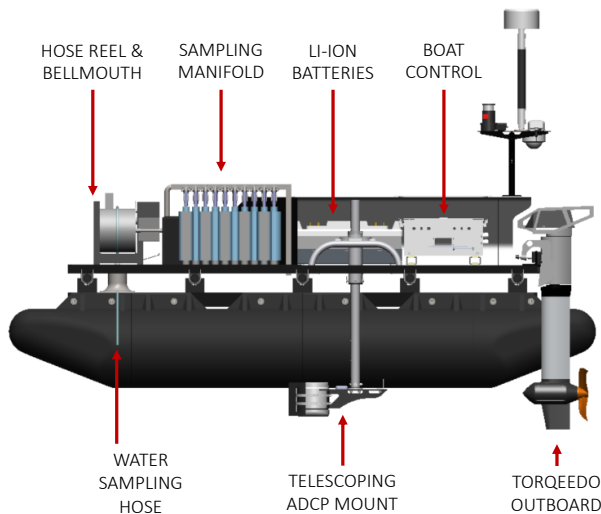




SR UTILITY 3.0

Heavy Load Water Sampling Autonomous Surface Vehicle



SeaRobotics Corporation

SeaRobotics.com | 7765 SW Ellipse Way, Stuart, FL 34997, USA | Tel +1 (772) 742-3700 | info@searobotics.com



SR-Utility 3.0 Specifications

Dimensions	Length: 10ft (3.0m) Beam: 6.5ft (2.0m) Draft: 8.25in (0.21m) <i>motor up</i> 16.5in (0.42m) <i>motor down</i> Weight: 720lbs 325kg
Max Speed*	6.5 kts
Endurance*	10.0 hrs @ 3 kts 6.0 hrs @ 4 kts
Operational Sea State	Beaufort Wind Scale Identifier 4
Propulsion System	2X TORQEEDO 2.0
Sample Manifold	20 x 1 Liter Plastic Sample Bottles.
Winch	Capacity 50ft, 1/2 - 5/8 ID hode, 12 or 24 VDC
Communications	Line of Sight Wi-Fi; 5.8GHz (5km range)

*Estimated Values

